

NOTES

1. WHEN THIS DRAWING IS USED AS AN ORDER SUBMITTAL, IT MUST BE SIGNED, AND AN ORDER SUBMITTAL FORM MUST BE INCLUDED.
2. 30 YEAR WARRANTY COVERAGE - SEE INTERCEPTOR LIMITED WARRANTY FOR DETAILS
3. OPTIONAL ACCESSORIES (LEVEL ALARMS, EXTENSION RISERS, STREET BOXES) ARE ALSO AVAILABLE.
4. ALL UPC LABELED GREASE INTERCEPTORS MUST SHIP FROM THE ANAHEIM FACILITY.

DESIGN PARAMETERS

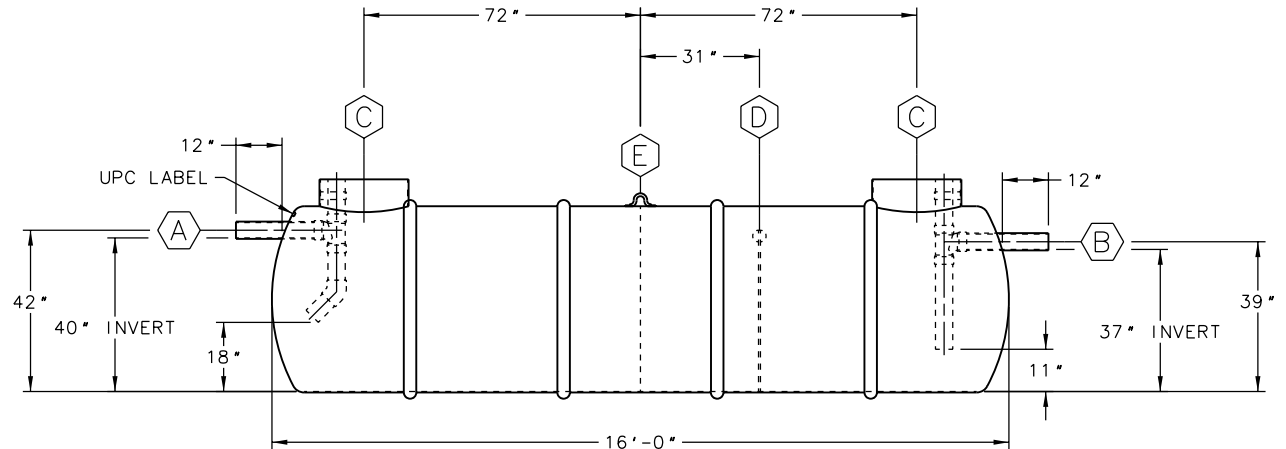
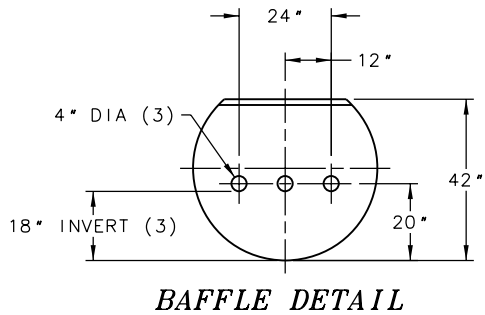
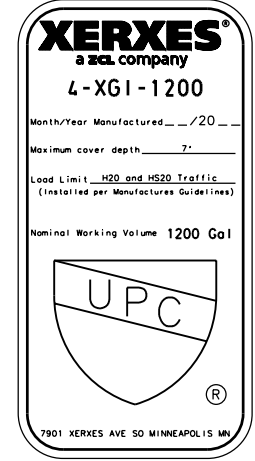
1. TANK SIZE: 4' DIA SINGLE-WALL, 48 1/2" O.D.
2. NOMINAL TANK CAPACITY: 1,500 GALLONS.
3. NOMINAL TANK WEIGHT: 1,500 LBS.
4. INVERT DIMENSION FROM TANK I.D.
5. CAPACITY AT FLOW LINE: 1202 GALLONS.
6. MAX GREASE CAPACITY: 708 GALLONS.
7. MAX SOLIDS CAPACITY: 370 GALLONS.

APPROVAL

THE UNDERSIGNED ACKNOWLEDGES AND AGREES TO THE USE AND DESIGN PARAMETERS AS DETAILED ON THIS DRAWING AND IN THE ACCOMPANYING ORDER SUBMITTAL FORM AND HEREBY APPROVES FABRICATION.

SIGNATURE _____

PRINTED NAME _____ DATE _____



| ITEM | QTY | DESCRIPTION |
|------|-----|---|
| (A) | 1 | 4"DIA SCH 40 PVC INLET PIPE WITH INTERNAL SANITARY TEE, PIPES & 45° ELBOW |
| (B) | 1 | 4"DIA SCH 40 PVC OUTLET PIPE WITH INTERNAL SANITARY TEE & PIPES |
| (C) | 2 | RISER PIPE, 23 3/8" O.D., FOR 24"(NOMINAL) ACCESS OPENING |
| (D) | 1 | 42" HIGH PLATE BAFFLE WITH 3-4"DIA HOLES (18" INVERT) |
| (E) | 1 | LIFTING LUG |

ZCL | XERXES®

TITLE
**MODEL GI-4-1200-UPC
GREASE INTERCEPTOR**

DATE 1-17 DR. NO. S11-955.00

INDUSTRY TYPE: M210 PLUMBING ENGINEERED SOLUTIONS